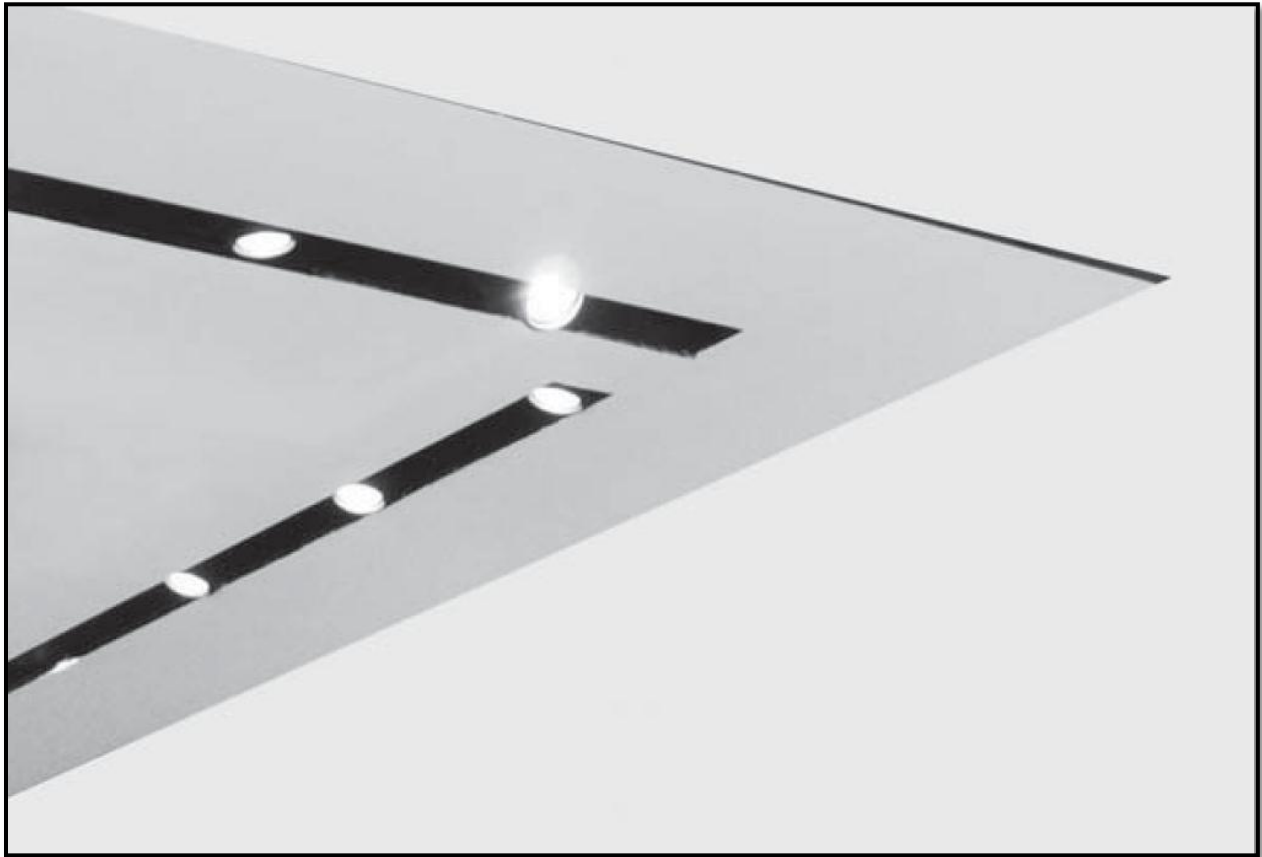


**Installation instructions: Mosaico Continuous Recessed flange**



**Important:**

- Read all instructions before installing.
- Installation by a qualified electrician only.
- System is intended for installation in accordance with National Electric Code, and local regulations. Consult with local inspector to assure compliance.
- **To reduce the risk of fire, electrical shock and injuries to persons, turn off power at main switch before installing or modifying the system.**
- **Warning:** (Risk of fire) do not install insulation within 3 inches of fixture sides, or junction box, or in a manner to entrap heat.
- Retain instructions for future maintenance reference.

**Step 1 /ceiling Framing/ For installation in 5/8" thick sheet rock**

Module run configuration is job specific.

- a) Cut out width 6.75". Cut out length "Y" is the length of the channels plus 3/16" Figure 1.

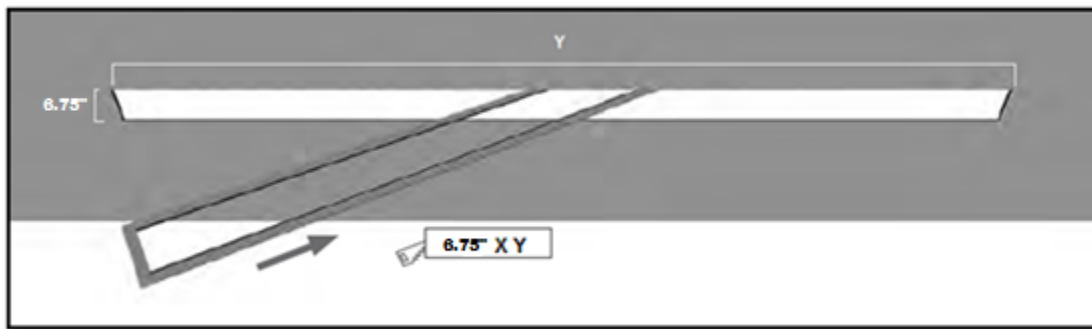


Figure 1.

- b) Determine luminaire position on the ceiling and Hang support wires from structural members to the level of the luminaire. Use minimum of two wire supports for the 2 ft housing and then every 36" in length Figure 2.

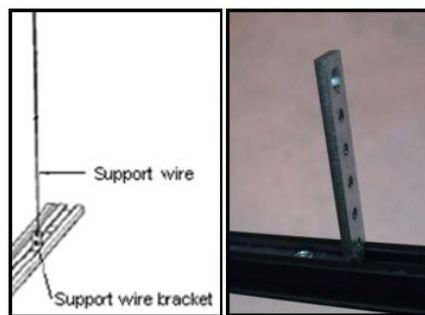


Figure 2.

- c) Install the frame, secure support wires to brackets as shown in Figure 1 & 2.
- d) To join two sections of frame use aligner bracket.

Once frame is in the position as shown in Figure 1 press ceiling/mounting clips down as shown in Figure 3 & 4. Figure 4 showing typical flange extrusion detail.

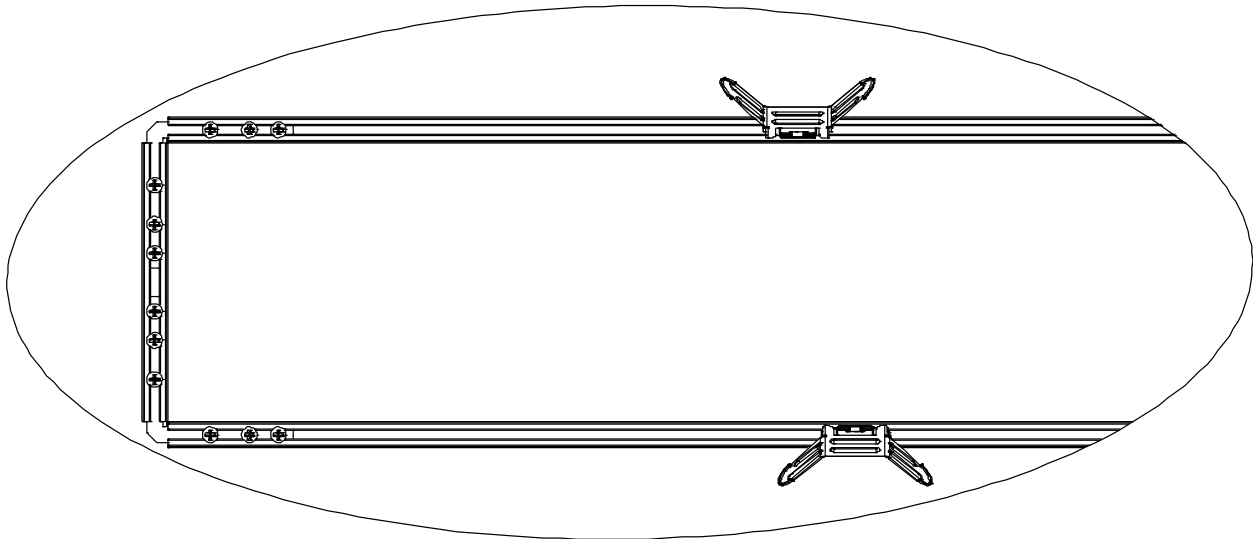


Figure 3.

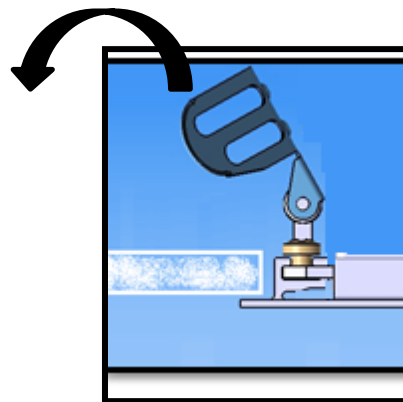


Figure 4.

---

## Step 2 /Housing-Channel installation/

---

Bring Housing/Channel below opening in the ceiling as shown on Figure 1.

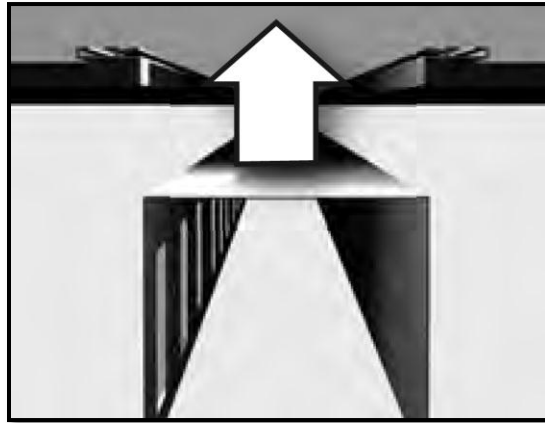


Figure 1.

Install the sheet metal housing by alternately pressing the lip of the housing into the grooves of the channel Figure 2.

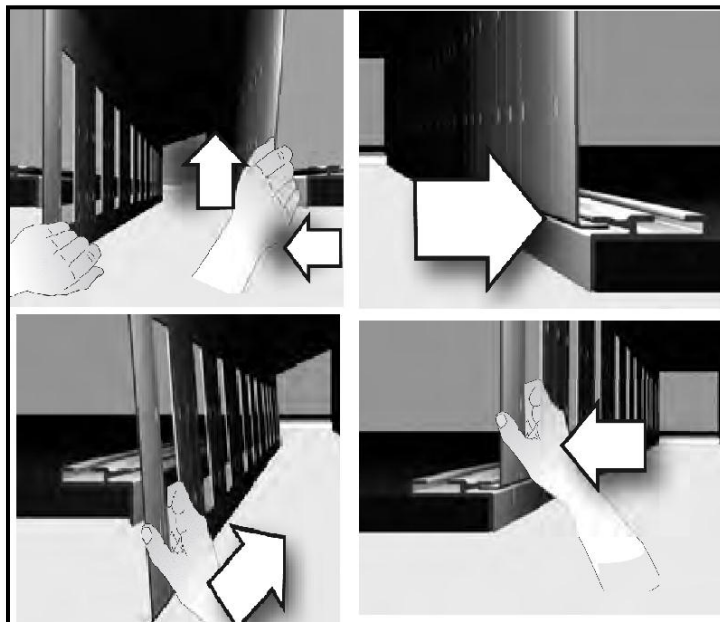


Figure 2.

Install fixture end-cap as shown on Figure 3.

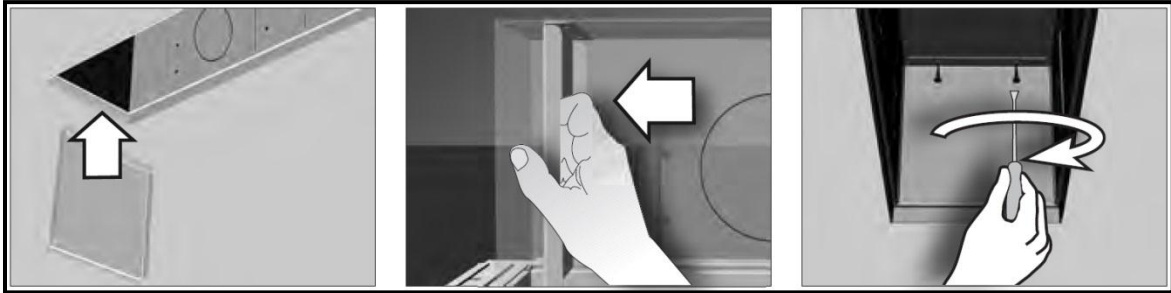


Figure 3.

### **Step 3 /Run configuration- installation/**

Working from left to right (clockwise) to build required run length install next section as described previously and join two sections with joiner as shown below on Figure 1. (joiners are different for different versions) Secure joiner in place and join two fixture modules by screws in dedicated slots.

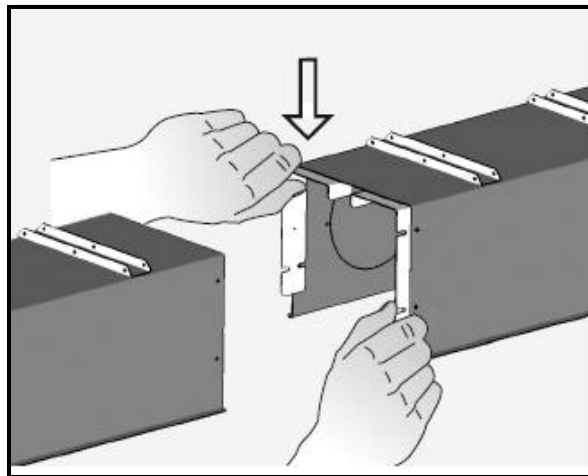


Figure 1.

If combining standard modules is not sufficient enough to fill opening in the ceiling use filler housing to fill gap from 0.75" to 8" as shown on Figure 2. below.

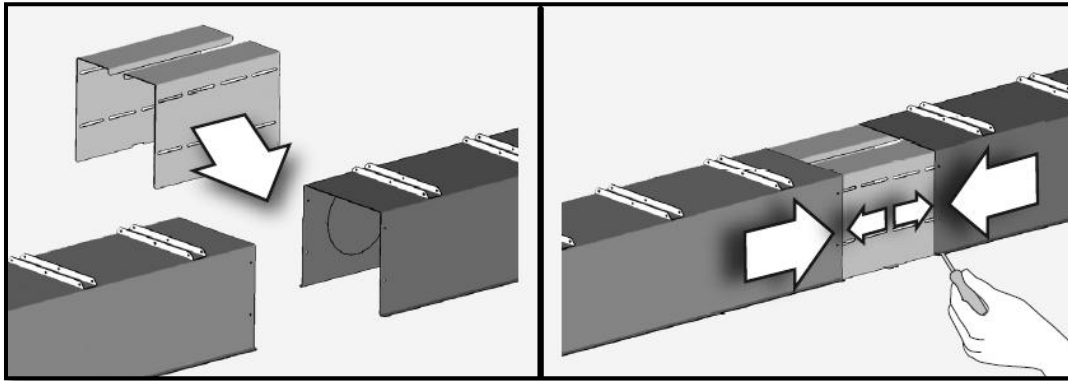


Figure 2.

#### Step 4

Snap the gimbal ring assembly into place by compressing the side springs and allowing them to expand into the slots on the sides of the housing. The spring will snap into place when the correct position is reached (fig. H). There are two possible height settings. The highest position maintains the gimbal ring inside the housing (fig. I). The lower setting allows the gimbal ring to reside slightly below the ceiling plane. See Figure 1, 2 and 3.

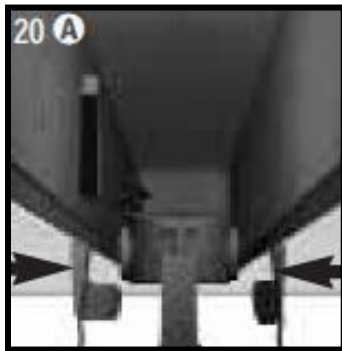


Figure 1

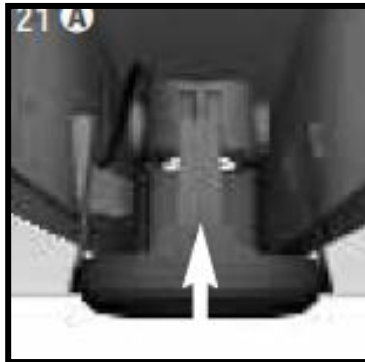


Figure 2.

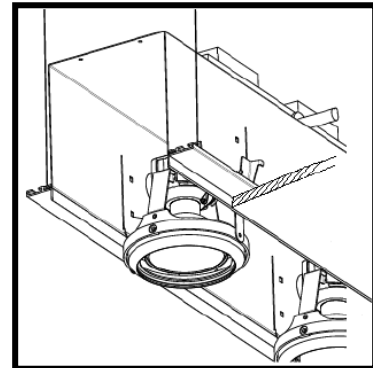


Figure 3.

**Note:** Lamp and ballast wattage must match. Use metal halide T6 lamps, G12 base (fig. J).

IOS (Interchangeable Optic System) wide reflector goes over the lamp and twist locks into place.

## Step 5

### Wiring.

- Bring the building supply wire through rectangular opening in the top of the housing
  - Working below ceiling plane, open the wiring door on the bottom of wiring compartment and then open knock out in the top of the compartment
  - Secure and connect building supply wires to like colored wires from wiring compartment with wire nuts.
  - Tuck wire and wire nuts neatly back into wiring compartment and close wiring door.
  - Pivot the compartment so the thermal protector clears housing (as shown on Figure 1.) secure to the top of the housing with screws.
  - Use blank covers to cover any unused areas in the top of the housing
  - Extra knock-outs are provided to accomplish chain wiring to additional/next wiring compartment
- Note:** use 12AWG wire (maximum 1440W)

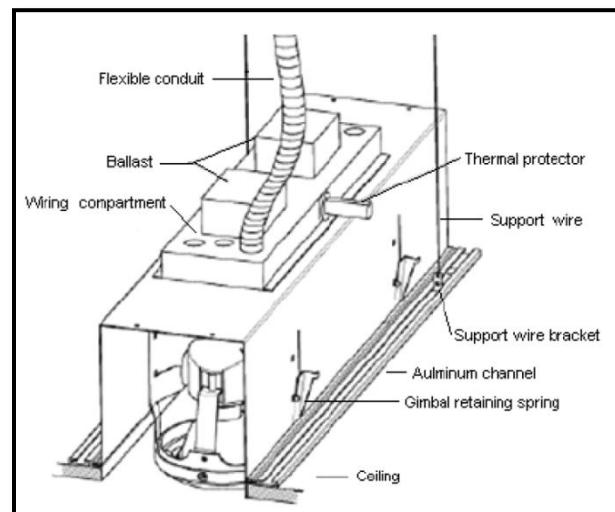


Figure 1.

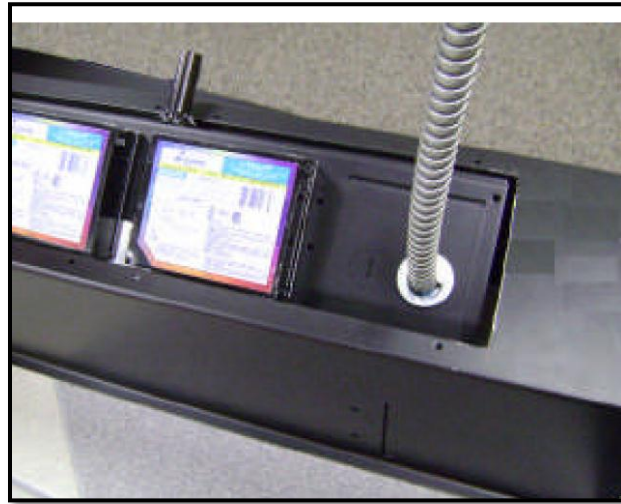


Figure 2.

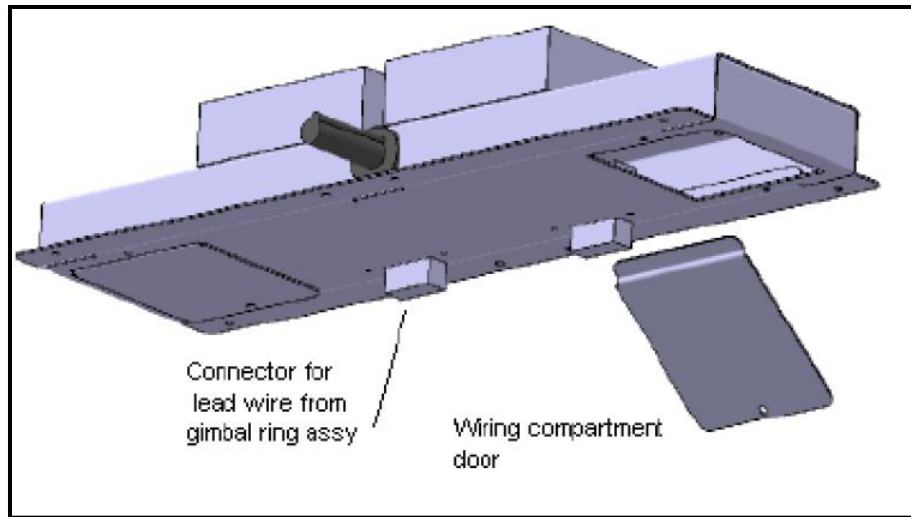


Figure 3.



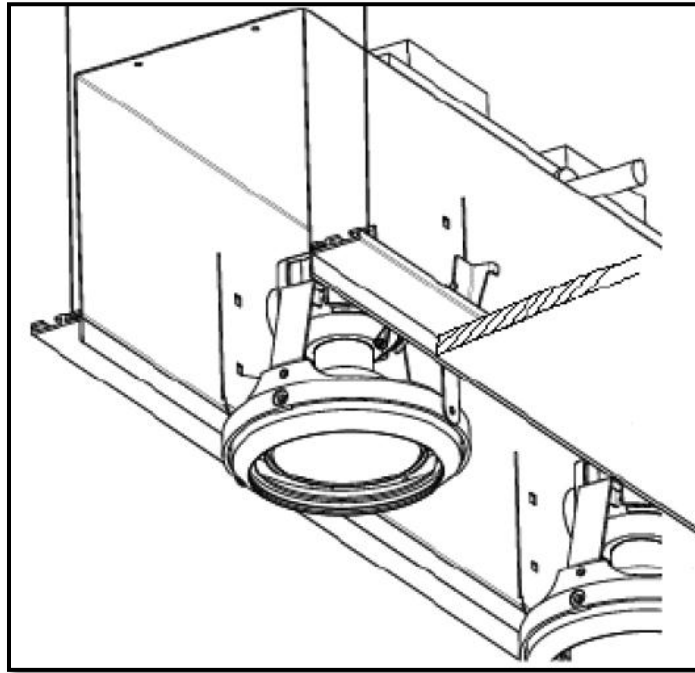


Figure 4.